



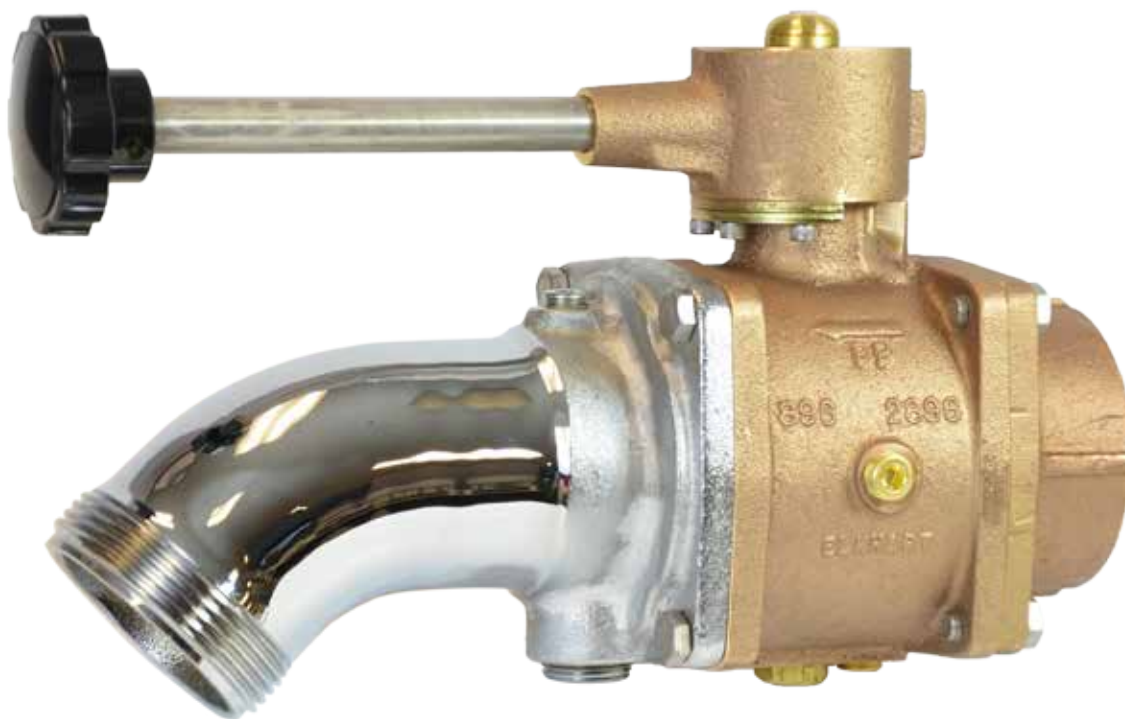
TRADITIONAL APPARATUS

APPARATUS VALVES

## Traditional Apparatus

Elkhart Brass apparatus valves are designed for use as inline, suction, or discharge valves and feature the ability to be field serviced utilizing drop-out or swing-out. All valves offer full flow waterways; adjustable, hydraulically balanced acetal balls; a selection of handle types and positions (for manual valves); and a variety of end cap options customized to your needs. Every Elkhart valve is tested to meet NFPA 1901 standards.

In addition to manual and gear actuated valves, Elkhart offers a variety of electronically actuated valves, such as Elkhart's 2900 series, which allow the pump operator to easily and efficiently control the flow of the fire pump from a position at the pump control panel.



8-19



### 800 SERIES

- Brass construction
- Adjustable, teflon impregnated neoprene seat
- Pressure rated to 250 psi (17.2 bar)
- Available with remote and direct manual handle actuators



### 2800 SERIES – HYDRO-LOC®

- Brass construction
- Self-locking mechanism
- Adjustable, teflon impregnated neoprene seat
- Pressure rated to 250 psi (17.2 bar)
- Available with remote and direct manual handle actuators



### 2900 SERIES

- Brass construction
- UHMWPE valve seat(s)
- Pressure rated to 250 psi (17.2 bar)
- Available with gear or electric actuators



### 2950 SERIES

- Cast iron construction
- Aluminum/bronze disc with reinforced bi-directional EPDM seat
- Pressure rated to 250 psi (17.2 bar)
- Available with gear or electric actuators
- No end caps — fits between 150# ANSI flanges



### 2925A

- Lightweight Elk-O-Lite® construction
- Self-locking mechanism
- Dual neoprene seats with acetal ball
- Pressure rated to 250 psi (17.2 bar)
- End cap options include: #01, #10, #30, and #38
- Furnished with #80 handle for direct operation

# APPARATUS VALVES



## TRADITIONAL APPARATUS

# APPARATUS VALVES

8-21

Waterway Size (Inches)	TYPE		AVAILABLE ACTUATORS						MATERIAL			Weight (Lbs.)	MODEL	
	Butterfly*	Ball	Handles			Electric	Gear Hand-wheel Options			Brass	Cast Iron			Elk-O-Lite®
			D	E	F		Hand-wheel & Bushing	Hand-wheel, Bushing and Valve Position Indicator Kit	Hand-wheel mounted to Valve					
1		•	•							•			3.6	890-xx-xx-D
		•		•						•			3.6	890-xx-xx-E
1.5		•	•							•			6.6	2891-xx-xx-D
		•			•					•			6.6	2891-xx-xx-F
		•	•							•			6.6	891-xx-xx-D
		•		•						•			6.6	891-xx-xx-E
2		•	•							•			15.3	2915E-xx-xx-91
		•								•			9.5	2892-xx-xx-D
		•								•			9.5	2892-xx-xx-F
		•	•							•			9.5	892-xx-xx-D
		•		•						•			9.5	892-xx-xx-E
		•								•			18.9	2920E-xx-xx-91
		•						•		•			17.5	2920G-xx-xx-90
		•							•	•			17.5	2920G-xx-xx-92
		•								•			17.5	2920G-xx-xx-94
		•	•							•			17.4	2896-xx-xx-D
2.5		•								•			17.4	2896-xx-xx-F
		•	•							•			17.4	896-xx-xx-D
		•		•						•			17.4	896-xx-xx-E
		•			•					•			17.4	896-xx-xx-F
		•								•		•	6.4	2925A-xx-xx-80
		•								•			22.3	2925E-xx-xx-91
		•						•		•			24.9	2925G-xx-xx-90
		•							•	•			24.9	2925G-xx-xx-92
		•								•			24.9	2925G-xx-xx-94
		•	•							•			22.3	2893-xx-xx-D
3		•								•			22.3	2893-xx-xx-F
		•	•							•			22.3	893-xx-xx-D
		•		•						•			22.3	893-xx-xx-E
		•			•					•			22.3	893-xx-xx-F
		•								•			28.1	2930E-xx-xx-91
		•								•			18.75	2953E-xx-xx-91
		•						•		•			28.8	2930G-xx-xx-90
		•							•	•			28.8	2930G-xx-xx-92
		•								•			28.8	2930G-xx-xx-94
		•								•			36.9	2940E-xx-xx-91
4		•								•			15.3	W2940E-xx-xx-91
	•									•			23.6	2954E-xx-xx-91
		•						•		•			37.6	2940G-xx-xx-90
		•							•	•			37.6	2940G-xx-xx-92
		•								•			37.6	2940G-xx-xx-94
		•						•		•			22.5	2954G-xx-xx-90
		•							•	•			22.5	2954G-xx-xx-92
		•								•			22.5	2954G-xx-xx-94
		•								•			27.1	2955E-xx-xx-91
		•							•	•			26.3	2955G-xx-xx-90
5		•								•			26.3	2955G-xx-xx-92
		•								•			26.3	2955G-xx-xx-94
		•								•			33.8	2956E-xx-xx-91
		•						•		•			32.9	2956G-xx-xx-90
6		•								•			32.9	2956G-xx-xx-92
		•								•			32.9	2956G-xx-xx-94
		•						•		•			32.9	2956G-xx-xx-94

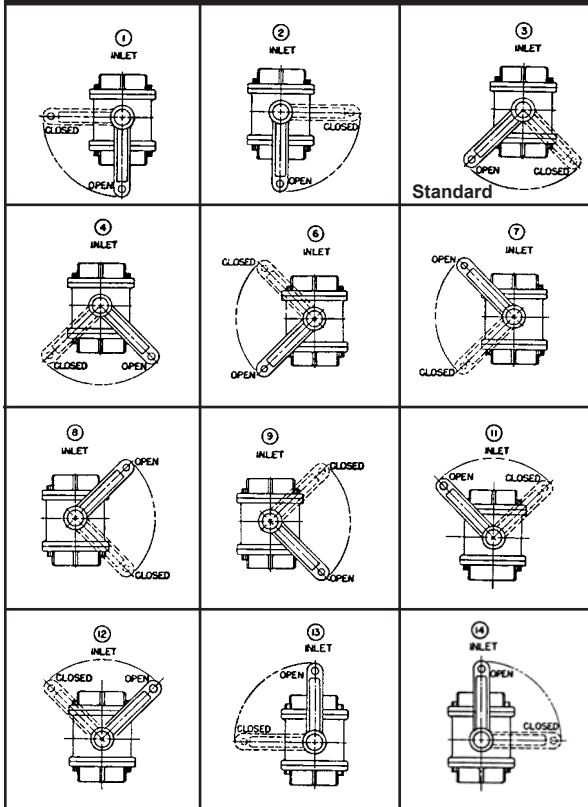
\*Fits between 150# ANSI flanges and aluminum/bronze disc with re-inforced EPDM seat. Butterfly valves do not utilize end caps.

### HOW TO ORDER A VALVE

Please follow the steps outlined below to order a valve

- Select base valve type model (ex: 892)
- Select inlet end cap (ex:-03)
- Select outlet end cap (ex:-03)
- Select handle or actuator (ex: -F)
- Select optional harness  
(for electric gear valves as applicable)
- Ex: 892-03-03-F

### OPTIONAL HANDLE POSITIONS (800 AND 2800 SERIES)



### ADDITIONAL INFORMATION

#### HANDLE POSITION

Please indicate your preferred handle or gear position when ordering if other than standard.

#### OTHER PRODUCTS

End cap options are based on valve size. End caps may be found beginning on page 8-23.

### VALVE CONTROLLER



Elkhart Brass' new line of valve controllers and valve position indicators is completely self-contained in a box that is more than 50% smaller than competitive units.

These new products:

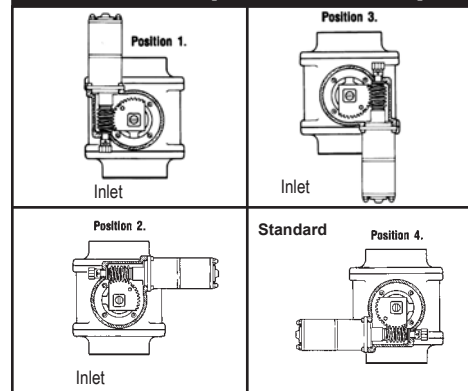
- Require minimal pump panel space
- Are easy to install
- Need no maintenance
- Feature 100,000 hour LEDs mounted within an optical filter to maximize visibility in bright sunlight
- Has durable push buttons that maintain NEMA 4 sealing
- Optional secondary controller

### ELECTRIC VALVE KIT

Includes:

- Valve controller (featuring a chrome bezel)
- One (1) harness to valve length (5', 10', 20' — standard, 30' or 40' — please specify)
- One (1) harness to power source length (6')
- In the case of a primary/secondary situation, two complete electric valve kits would be sent, as well as: a controller to valve harness (5', 10', 20' — standard, 30' or 40' — please specify) and a communication harness (5', 10', 20' — standard, 30' or 40' — please specify)

### OPTIONAL GEAR / MOTOR POSITIONS (2900 SERIES)





## END CAP OPTIONS

### END CAP (ADAPTER) OPTIONS

The 800, 2800 and 2900 series valves can be utilized as inline, suction, or discharge valves with virtually any fire pump. Choose any of these end cap options, based on valve size, to make up the valve combination that best fits your individual needs.

All dimensions shown in charts, unless otherwise noted, are the length (L) of the end cap. (Fig. 1)

All end caps for the 1.0", 1.5", 2.0" 2.5", and 4.0" valves have 4 bolts. (Fig. 2)

End caps for the 3.0" valves have 6 bolts. (Fig. 3)

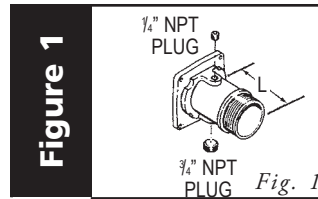


Figure 1

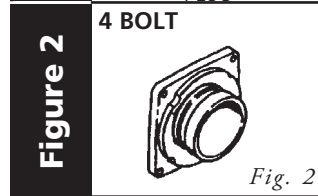


Figure 2

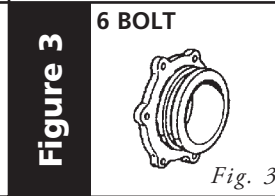


Figure 3

### MALE HOSE THREAD END CAPS

End Cap No.	30	31	32	33	34
Valve Size					
1.5"	1.187" L +			2.000" L +•	
2.0"	1.375" L +	1.562" L (2.5" Thd) ++			3.000" L (2.5" Thd) ++
2.5"	1.750" L +	1.812" L (3.0" Thd) ++	2.750" L +	4.000" L +	
3.0"		2.625" L (3.5" Thd) ++		4.125" L +♥	4.125" L (3.5" Thd) ++♥

### MALE HOSE THREAD END CAPS

End Cap No.	35	36	37	37.1	96
Valve Size					
2.5"	5.000" L +	6.187" L +♥	7.016" L (45°) +	12.312" L +	1.750" L +
3.0"			6.724" L (2.5" Thd) +++•		
4.0"					




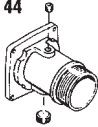
- + Thread size same as valve size.
- ++ Thread size larger than valve size.
- +++ Thread size smaller than valve size.
- ♥ Has two .750" NPT drain taps.
- No plugs in this end cap.

### ADDITIONAL INFORMATION





#### THREADS

All hose threads are NHT unless otherwise specified. See index T-13 for alternative thread options.

### MALE NPT END CAPS

End Cap No.	40	41	43	44
Valve Size				
1.5"	1.375" L +		2.000" L + •	
2.0"	1.625" L +	1.937" L (2.5" Thd) ++		3.000" L +
2.5"	1.937" L +	2.078" L (3.0" Thd) ++		5.000" L +
3.0"	2.625" L +			
4.0"	2.687" L +			

### VICTAULIC & FLEXHOSE END CAPS

End Cap No.	50	51	52	60
Valve Size				
1.5"	1.625" L (1.5" VIC)			
2.0"	1.625" L (2.0" VIC)		3.000" L (2.0" VIC)	
2.5"	1.750" L (2.5" VIC)		2.750" L (2.5" VIC)	
3.0"	1.937" L (3.0" VIC)	1.750" L (4.0" VIC)	3.531" L (3.0" VIC)♥	1.963" L (3.5" O.D.) (4° PITCH)
4.0"	2.063" L (4.0" VIC)		3.563" L (4.0" VIC)	

- + Thread size same as valve size.
- ++ Thread size larger than valve size.
- +++ Thread size smaller than valve size.
- ♥ Has two .750" NPT drain taps.
- No plugs in this end cap.

# APPARATUS VALVES

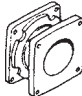
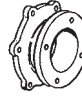



## END CAP OPTIONS

APPARATUS VALVES

8-25

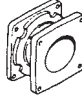
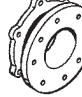
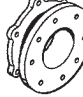
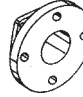
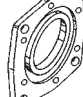

### FLANGE END CAPS

End Cap No.	20	20	21
Valve Size			
1.5"	1.750" L ***		
2.0"	2.750" L W or H ++++		
2.5"	2.750" L W or H ++++		2.125" L W or H ++++
3.0"		2.312" L H ++++	2.312" L H ++++

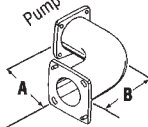
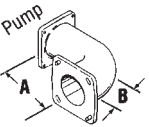
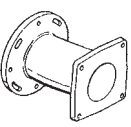
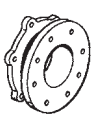
Designations for pump flanges:

D = Darley Pump  
H = Hale Pump  
W = Waterous Pump

### FLANGE END CAPS

End Cap No.	22	22	22.1	94	53	54
Valve Size						
2.5"	2.125" L D +			2.563" L 2.5" - 150# (ANSI)		
3.0"		2.312" L H ++	2.312" L D +		.750" L W **	2.675" L W (4° Pitch) +++
4.0"				3.000" L 4.0" - 150# (ANSI)		

### FLANGE END CAPS





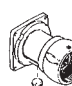



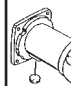
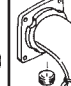

End Cap No.	24		25		28	29
Valve Size						
	A	B	A	B		
2.0"	3.750"	5.500"				
	W or H ++++					
2.5"	6.000"	5.500"	6.000"	3.500"	6.093" L W or H ++++•	
	W or H ++++		W or H ++++			
3.0"					5.500" L W or H ++++•	
4.0"						2.687" L W +++

+ Flange has 4.594" bolt circle.  
++ Flange has 5.750" bolt circle.  
+++ Flange has 5.500" bolt circle.  
++++ Flange has 4.375" bolt circle.



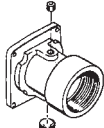
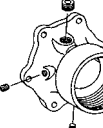
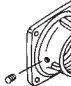

\* Flange has 6.625" bolt circle.  
\*\* Flange has 7.778" bolt circle.  
\*\*\* Flange has 3.000" bolt circle.  
\*\*\*\* Flange has 4.250" bolt circle.

• Offset .547" (10.8")  
▼ Elbow 94°

### FEMALE HOSE THREAD SWIVEL END CAPS

End Cap No.	10	11	19	12	13	14	17	15	16	18	98
Valve Size											
1.5"	1.766" L +										
2.0"		2.297" L (2.5" Thd) ++									
2.5"	2.297" L +	2.437" L (3.0" Thd) ++		3.203" L +	4.922" L +	5.062" L (3.0" Thd) ++		7.297" L +	7.437" L (3.0" Thd) ++	7.933" L (45°) +	
3.0"			2.859" L (2.5" Thd) +++		4.562" L +♥		4.422" L (2.5" Thd) +++♥				6.219" L +♥
4.0"											

### FEMALE NPT END CAPS

End Cap No.	01	02	03	05	95	97
Valve Size						
1.5"	.969" L +	1.469" L (2.0" Thd) ++	2.000" L +•			
2.0"	1.062" L +	1.625" L (2.5" Thd) ++	3.000" L +			
2.5"	1.937" L +	2.078" L (3.0" Thd) ++	4.000" L +		1.937" L +•	1.250" L +
3.0"	1.625" L +	2.625" L (3.5" Thd) ++	4.125" L +♥	4.500" L (4.0" Thd) ++♥		
4.0"	2.050" L +		3.291" L +*			

- + Thread size same as valve size.
- ++ Thread size larger than valve size.
- +++ Thread size smaller than valve size.

- ♥ Has two .750" NPT Drain Taps.
- .125" NPT plug and no .750" plug.
- \* .750" NPT plug and no .250" plug.



# APPARATUS VALVES

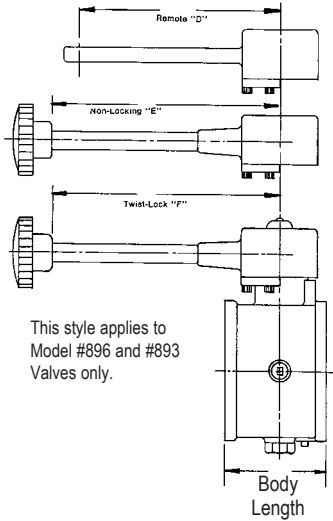


## HANDLE OPTIONS

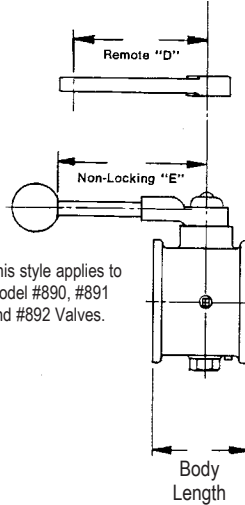
APPARATUS VALVES

8-27

### 800 SERIES VALVES

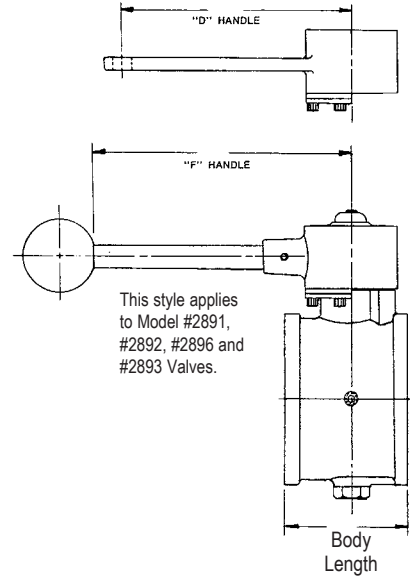


This style applies to Model #896 and #893 Valves only.



This style applies to Model #890, #891 and #892 Valves.

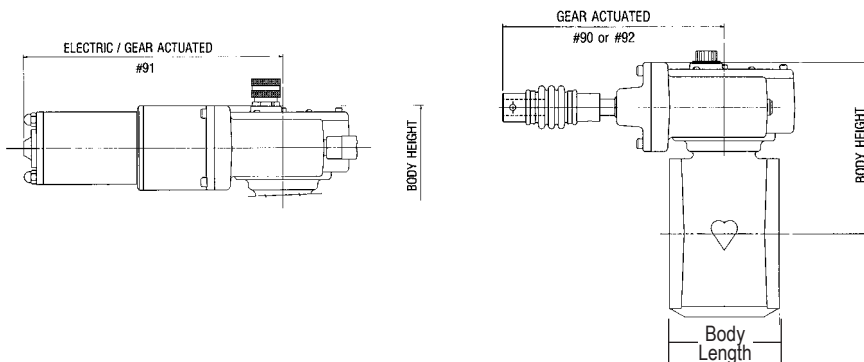
### 2800 SERIES VALVES



This style applies to Model #2891, #2892, #2896 and #2893 Valves.

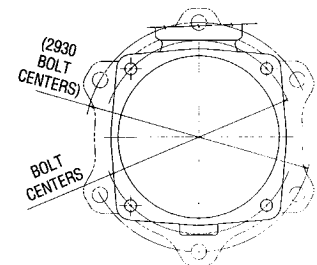
Size	BODY		HANDLES		
	Model	Length	"D"	"E"	"F"
1.0"	890	1.75"	3.5"	3.875"	—
	—	—	—	—	—
1.5"	891	2.5"	3.5"	3.875"	—
	2891	2.5"	3.5"	—	4.312"
2.0"	892	3"	3.5"	3.875"	—
	2892	3"	3.5"	—	4.312"
2.5"	896	3.375"	6.75"	8"	8"
	2896	3.375"	6.75"	—	8"
3.0"	893	4.234"	6.75"	8"	8"
	2893	4.234"	6.75"	—	8"

### 2900 SERIES VALVES



Model	BODY		ACTUATOR LENGTH			
	Size	Length	Height	#90	#91	#92
2915	1.5"	2.5"	4.63"	N/A	6.38"	N/A
2920	2"	3"	4.88"	N/A	6.38"	N/A
2925	2.5"	3.39"	5.16"	—	6.38"	—
2930	3"	4.23"	6"	6.83"	8.5"	6.82"
2940	4"	4.77"	6.31"	6.82"	8.5"	6.82"

### BOLT CENTERS



SIZE	END CAP BOLT CENTERS	END CAP BOLT PATTERN
1.5"	3.5"	4 Bolt
2"	4.19"	4 Bolt
2.5"	5.06"	4 Bolt
3"	6"	6 Bolt
4"	7.25"	4 Bolt