

Sidewinder®

- Compact — under 9" wide and requiring just 16" of clearance; perfect for wildland, dust abatement or small apparatus use — anywhere space is at a premium
- Designed specifically for the rigors of wildland and construction use
- 2" fully-vaned waterway
- Customizable — gpm and pressure can be customized through nozzle selection
- Fast-action tiller control
- Double-ball races with stainless steel bearings



(Nozzle sold separately)

Available in your choice of two materials – Brass or Elk-O-Lite®

360° continuous horizontal rotation

Fully-vaned 2" waterway

200
PSI

500
GPM



SIDEWINDER®

SPECIFICATIONS

Max. GPM (LPM)	500 (1893)	
Inlet	Size	Type
	2"	NPT (F)
Outlet	1.5" NHT	
Control	Tiller	
Materials/Finishes	Brass or Elk-O-Lite® with red urethane enamel	
Friction Loss	26 psi at 500 gpm	
	14 psi at 350 gpm	
	4 psi at 200 gpm	
Travel	V -45° to +90° (135°)	
	H 360° (continuous)	
Weight	Variable (see chart for specifics)	
Ratings and Certifications		

KEY CONFIGURATIONS (ACCESSORIES)



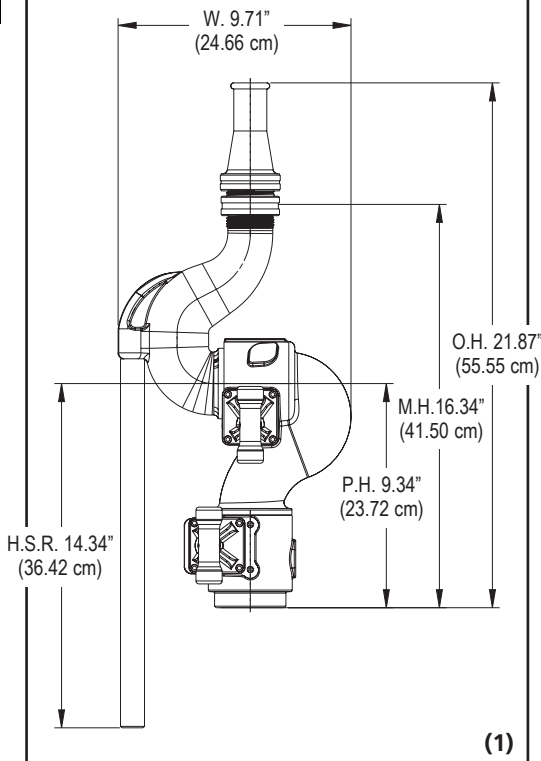
QUICK CONNECT (2)

Sidewinder® Selector Guide

INLET SIZE/TYPE	OUTLET SIZE	MATERIALS		BASES			Weight (Lbs.)	MODEL
		Brass	Elk-O-Lite®	2" NPT	2" NPT Quick Connect (Brass)	2" NPT Quick Connect (Elk-O-Lite®)		
2.0" NPT	1.5"							
				s		o	16	8492
				s	o		48	8392
					2	2		Illustration

KEY s = standard o = option

DIMENSIONS & LAYOUT



Components & Options Chart

COMPONENTS & OPTIONS	
Dust Cover for Quick Connect Bases	Aluminum 3" x 3" push plug with stainless steel chain and safety tether. Used with either the Quick Connect (to keep contaminants out of the waterway and seal) or the harness connector (to keep contaminants out of the plug assembly).

Recommended Products

TSM-HP – PHANTOM®	TSM-30F – SELECT-O-MATIC®	CHIEF XD MID-RANGE TIP
		
Page 1-15	Page 1-12	Page 1-3
185-B – SMOOTH BORE	281-A MINI – STREAM SHAPER	
		
Page 1-30	Page 1-33	

ADDITIONAL INFORMATION

Technical Data on monitor performance may be found on page T-11.