

## Operator Control Panel (OCP)

For use with model 8394053 Spit-Fire monitor

The purpose of the Operator Control Panel (OCP) is to operate and control an Industrial Fire Monitor. The panel can be purchased in a variety of configurations; Dual or Single operator control panel, the most common, or a Networked panel. The panel set-up/programming procedure can be found in the Industrial Operator Control Panel Installation manual as all styles are programmed in the same manner. All panels have a selector switch for "Power On" along with a Red Indicator Light. Dual and single OCP's will also have pushbuttons for "Park", "Oscillate On/Off", "Water Valve Open/Close", and "Aux. Device On/Off", which can be used for other functions including foam control. It includes a two position joystick to change the Nozzle from "Fog" (90° spray pattern) to "Straight" Stream (0° spray pattern), and a four position joystick to move the monitor "UP/DOWN/LEFT/RIGHT". Only one directional movement can be achieved at a time. Indicator lights include "Power On", "Oscillation On", "Water Valve Opened", "Aux. Device On", and "Parked".



*Dual control OCP*

### OCP as Local Operator Control panel (LOCP):

This box will be hardwired directly to the MMCP it controls. It is the same panel as the remote, but the menu setup is different.

### OCP as Remote Operator Control Panel (ROCP):

This panel is an Operator Control Panel with the exception that it is not connected directly to the MMCP. It will communicate to the LOCP through a network connection of either fiber optic or an Ethernet cable. Additional panels can be added to control specific monitors if desired through this same method. Joysticks and controls can operate any monitor on the system network.

Custom panel configurations can be made for site specific requirements.

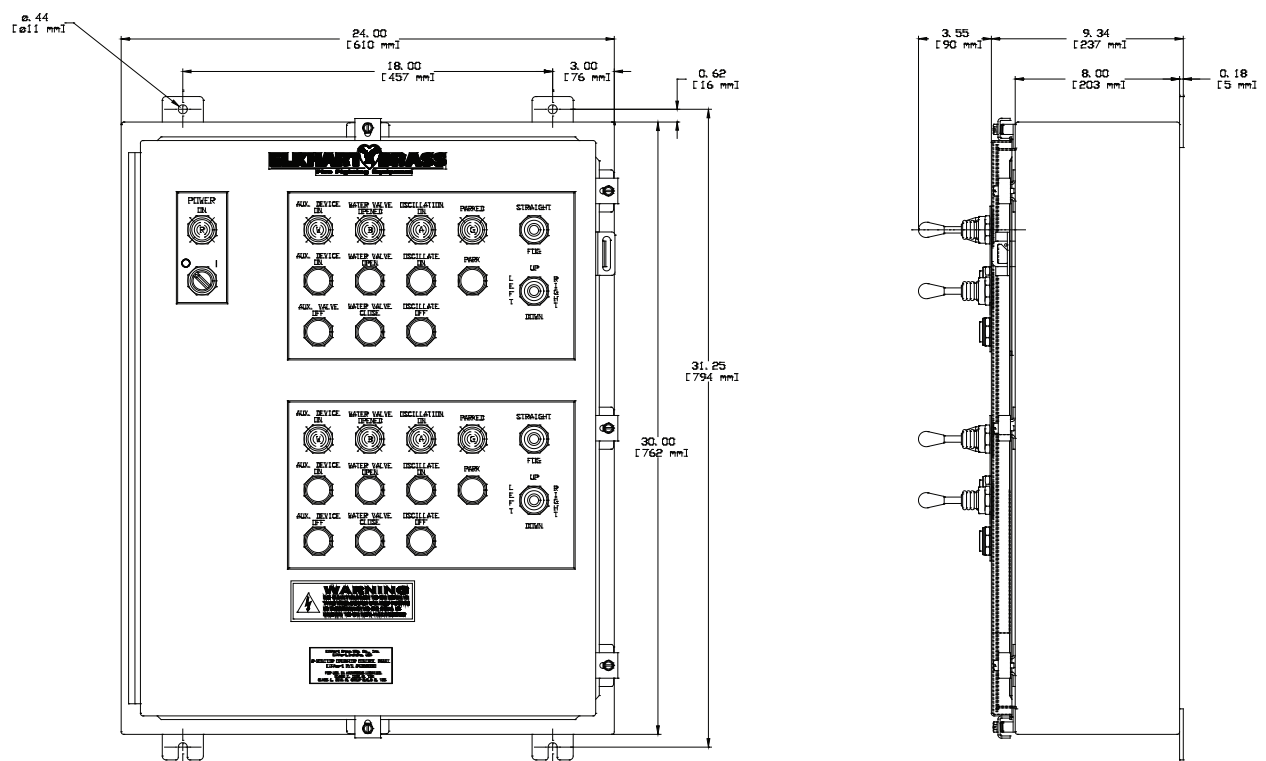
### Features:

- **Construction:** Stainless Steel enclosure rated for Hazardous Location Class I, Division 2
- **Compliance:** (NFPA 70) NEC: 2008, Article 501 - Class I, Groups "B, C, & D," Division 2 & Article 505 - Class I, Zone 2, T3C requirements; UL labeled.
- **Control Power:** On/Off 2-position selector switch
- **Pilot Lights:** "Power on", "parked", "oscillation on", "water valve open", and "AUX. device on"
- **Internal Power:** 24 VDC power supply for controls
- **Controls:** NEMA 4 (IP-66) controls. Joystick controls for Monitor and Nozzle movements (UP, DOWN, LEFT, RIGHT, STRAIGHT STREAM, and FOG) and pushbutton controls for "park", "oscillation ON/OFF", "water valve OPEN/CLOSE", and "Foam valve OPEN/CLOSE" or "AUX. device ON/OFF"
- **Conduit Knockout and Hubs:** Supplied by customer

# Operator Control Panel (OCP)

SPECIFICATIONS	
Model	24359000 (2 Monitor) / 24359001 (1 Monitor)
Input Power	120/240 VAC (50/60Hz.) 1 Phase 240 VA Max. Power
Electrical Load	2 AMPS Max.
Dimensions	24" x 36" (610mm x 914mm) - 2 Monitor OCP 20" x 24" (508mm x 610mm) - 1 Monitor OCP
Weights	Approx. 100 lbs. (45 kg) - 2 Monitor OCP Approx. 80 lbs. (36 kg) - 1 Monitor OCP
Temp Range	+14°F to +140°F (-10°C to +60°C)
Fiber Cable	62.5/125 multi-mode with SC connectors
Ethernet Cable	Cat5e minimum
Certifications	UL Listed and labeled (Class I, Division 2), per NEC

**2 Monitor**



**1 Monitor**

