

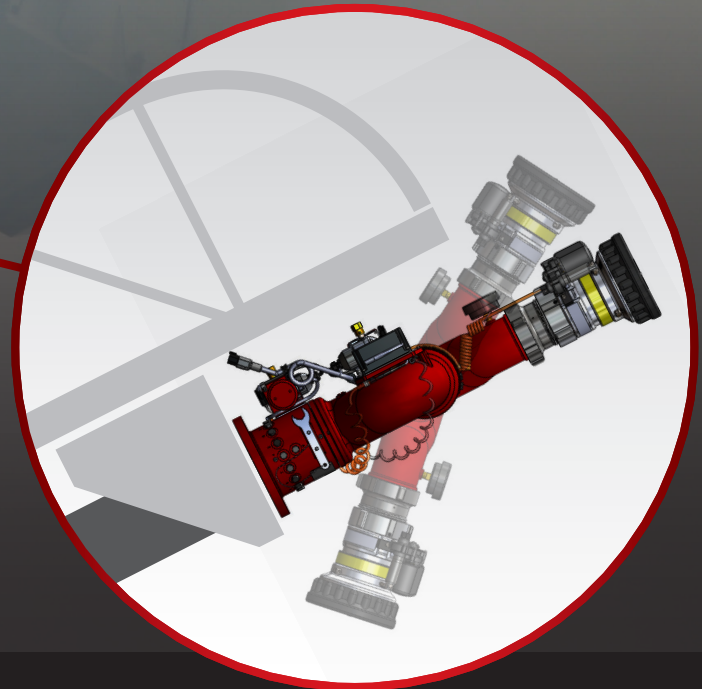
BIG FLOW 2000GPM
+ TRUSTED DESIGN ELKHART MADE
+ EXM COMMUNICATION REMOTE CONTROL

Boa 2000

Powered by EXM

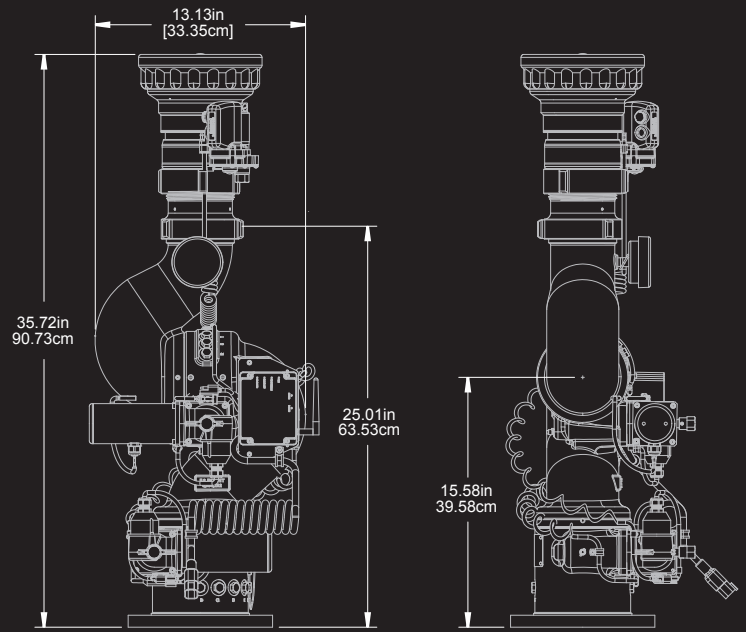
- 2000 GPM (7570 LPM)
- 200 PSI (13.8 BAR)
- 4" 150# Flange Inlet
- 3.5" NHT Discharge
- 8.9" Swing Radius

30° Extended Travel

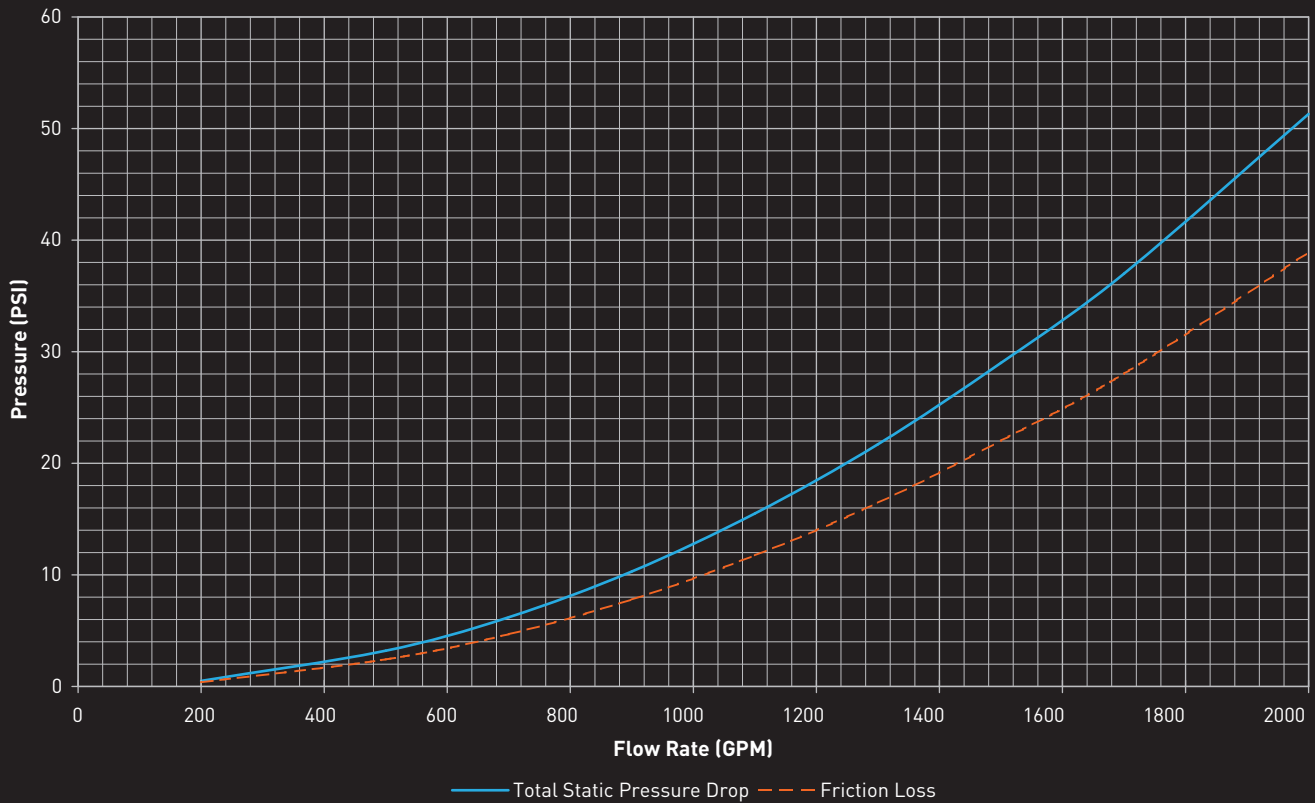


SPECIFICATIONS

| | |
|--------------|---------------------------|
| Model | 7451 |
| Flow | 2000 GPM (7570 LPM) |
| Max Pressure | 200 PSI (13.8 BAR) |
| Inlet | 4" 150# Flange |
| Outlet | 3.5" NHT |
| Control | CANbus J1939 |
| Material | Hard anodized Elk-O-Lite® |
| Swing Radius | 8.9" |
| Stow Height | 20" |
| Weight | 45 Lbs. |



Boa 2000 Losses (4.0" Inlet and 3.5" Outlet)



X-STREAM™ SERIES MASTER STREAM NOZZLES

The SM-1500E & SM-2000E are two electrically actuated master stream nozzles for use with the BoA 2000™ monitor. The X-Stream series nozzles automatically adjust to maintain an effective stream and maximum reach at variable or reduced flows. Electric actuators are completely sealed and allow precise pattern control from straight stream to wide fog.

| MODEL | INLET | PRESSURE PSI (BAR) | FLOW GPM (LPM) |
|----------|-------|--------------------|----------------------|
| SM-1500E | 3.5" | 70 (4.83) | 500-1500 (1893-5678) |
| SM-2000E | 3.5" | 80 (5.51) | 500-2000 (1893-7570) |